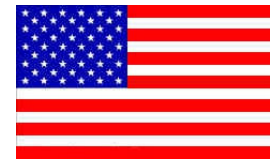




**UNITED
SECURITY
PRODUCTS, Inc.**



Proudly made in U.S.A

PRODUCT SPECIFICATION SHEET

HOLD UP BUTTONS

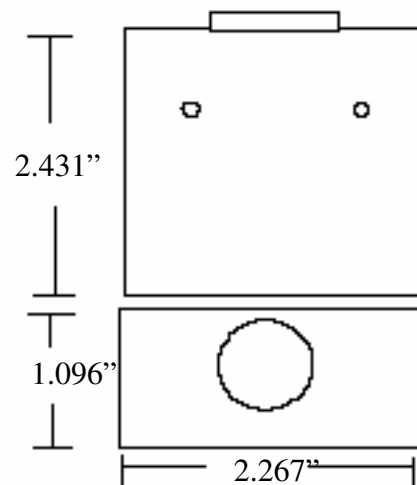
HUB ES Series



When you have an installation that requires a high quality button that is both visible and easy to access, the ES versions of our HUB's are the perfect answer. The switch inside the case is manufactured with gold, silver and copper. Also, we require the highest standard of components and take the extra time to hand-assemble the units in the USA to assure reliability.

- Gold & Silver Crosspoint Contacts
- Brass Terminals
- Stainless Steel Spring
- Thermoplastic Case and Button
- Copper Alloy Blades

Model	Switch	Operation	Terminals
HUB2-ES	DPDT	Latching	6 Solder
HUB2A-ES	DPDT	Latching	3 Solder/3 Screw
HUB2B-ES	DPDT	Latching	6 Screw
HUB2S-ES	SPDT	Momentary	3 Solder
HUB2SA-ES	SPDT	Momentary	3 Screw



United Security Products • 13250 Gregg St., Ste. B • Poway, CA 92121

www.unitedsecurity.com